

Gama HPL | COMPACT 3

Resistente, higiénica e adequada para espaços húmidos ou de uso intensivo, a gama HPL oferece várias opções em fenólico para portas e divisórias.

Ideal para clínicas, escolas, escritórios e ginásios.

Resistant, hygienic and suitable for damp rooms and intensive use, the HPL range offers several options for phenolic doors and partitions. Ideal for clinics, schools, offices and gyms.

Résistant, hygiénique et approprié pour les pièces humides ou d'utilisation intensive, la gamme HPL offre plusieurs options pour des portes et des cloisons phénoliques. Idéal pour les cliniques, les écoles, les bureaux et les salles de gym.

Opções | Options



34 | 37 dB



EI 30|45|60



Contra radiações

Anti radiation
Anti rayons x

B070
Branco | White | Blanc



B070 | Branco
White
Blanc



G003 | Cinza claro
Light grey
Gris clair



G031 | Amarelo
Yellow
Jaune



R036 | Vermelho
Red
Rouge



B086 | Azul
Blue
Bleu



G059 | Cinza escuro
Dark grey
Gris foncé



1 FACE | Flushed | Affleurant

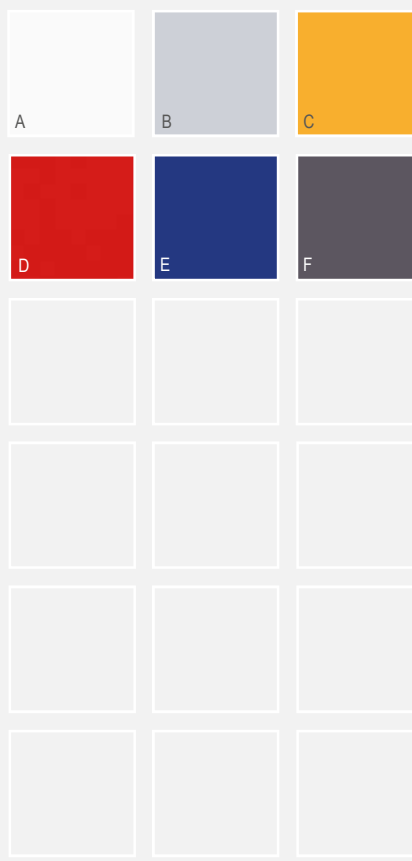
Fenólico 3mm
Phenolic 3mm
Phénolique 3mm

2 Orla | Edge | Bord

Fenólico
Phenolic
Phénolique

Pormenores de acabamento e textura

Finishing and texture details
Détails de la finition et de la texture



OPÇÕES DE COR | COLOR OPTIONS | OPTIONS DE COULEUR



VINYL TOUCH

 (1) Branco Artic Artic White Blanc Artic	 (2) Branco Pérola White pearl Blanc perle	 (3) Moldau Acácia Moldau Acacia Moldau Acacia	 (4) Carvalho Antiqua Antiqua Oak Chêne Antiqua	 (5) Olmo Escuro Dark elm Orme foncé	 (6) Carvalho Plomo Plomo oak Chêne plomb	 (7) Carvalho Brown Brown oak Chêne brun	 (8) Light Grey	 (9) Dark Grey
 (10) Chestnut Bleached	 (11) Chestnut Marron	 (12) Olive						



VINYL NATUR

 (13) Carvalho Nat. Natural oak Chêne naturel	 (14) Carvalho Savannah Savannah Oak Chêne Savannah	 (15) Nogueira Cacao Cacao Walnut Noyer Cacao	 (16) Concrete Concrete Beton	 (17) Olmo Taupe Taupe Elm Orme Taupe	 (18) Olmo Gris Gris Elm Orme Gris	 (19) Vanilla Oak	 (20) Pearl Oak	 (21) Iron Oak
 (22) Nature Oak	 (23) Harvest Oak	 (24) Honey Oak	 (25) Arizona Oak	 (26) Smoked Oak	 (27) Graphite Oak	 (28) Ivory Oak	 (29) Castle Oak	 (30) Arabian Oak
 (31) Riga Amber	 (32) Riga Terracota							 (33) Decor Branco White Decor Decor Blanc




BASIC | BASIC+ | STYLE | VINTAGE | CORES DA MADEIRA | WOOD COLORS | COULEURS DE BOIS

 (34) Amapa	 (35) Bambu Bambou Bambou	 (36) Carvalho Natural Natural oak Chêne naturel	 (37) Carvalho RW Oak RW Chêne RW	 (38) Carvalho Cinza RW Gray oak RW Chêne gris RW	 (39) Cerejeira USA Nat. USA natural cherry Cersier EUA naturel	 (40) Cerejeira USA RW USA Cherry RW Cersier EUA RW	 (41) Ébano Ebony Ebène	 (42) Faia Vaporizada Streamed beech Hêtre étuvé
 (43) Freixo Ash Frêne	 (44) Maple Maple Érable	 (45) Mogno Mahogany Acajou	 (46) Mutene	 (47) Nogueira Walnut Noyer	 (48) Nogueira RW Walnut RW Noyer RW	 (49) Pinho Pine Pin	 (50) Sucupira	 (51) Teka RW Teak RW Teck RW
 (52) Tola	 (53) Wengue RW	 (54) Zebrano RW						



LACADOS | LACQUERED | LAQUÉS

GLAM | VINTAGE | GRAPHIC

(55) Branco White Blanc	(56) Cinza Grey Gris	(57) RAL 9006	(58) Preto Black Noir	(59) Vermelho Red Rouge	(60) Carvalho branco White oak Chêne blanc	(61) Branco craquelé White "craquelé" Blanc "craquelé"	(62) Preto craquelé Black "craquelé" Noir "craquelé"	
----------------------------------	-------------------------------	------------------	--------------------------------	----------------------------------	---	---	---	---



HPL | COMPACT 3




(63) B070 Branco B070 White B070 Blanc	(64) Cinza G003 Grey G003 Gris G003	(65) Amarelo G031 Yellow G031 Jaune G031
(66) Vermelho R036 Red R036 Rouge R036	(67) Azul B086 Blue B086 Bleu B086	(68) Cinza G059 Grey G059 Gris G059



OPÇÕES DECORATIVAS | DECOR OPTIONS | OPTIONS DÉCORATIVES

TIPO DE FRISO | INSERT OPTIONS | OPTIONS DES FRISES

TODAS AS GAMAS | ALL RANGES | TOUS LES GAMMES

 FM Madeira Wood Bois	 FR Rebaixado Milled Fraisé	 FA Alumínio Aluminium Aluminium
--	--	---

COR METÁLICA | METALLIC COLOR | COULEUR MÉTALLIQUE

BASIC | BASIC+ | STYLE | VINTAGE | GLAM | VINYL



 (69) Luna Antracite Scudo
--

OPÇÕES DE VIDRO | GLASS OPTIONS | OPTIONS POUR LE VERRE

TIPO DE VIDRO | GLASS TYPES | TYPE DE VERRE

 Transparente Clear Transparent	 Fosco Frosted Dépoli	 Espelho Mirror Miroir
---	---	--

TIPO DE BITE | GLAZING BEAD | PARCLOSE

 STD Saliente Embossed En relief	 FAC Face Flushed Affleurant
--	---

INTERIOR DA PORTA | DOOR INSIDE | INTÉRIEUR DE LA PORTE

 ALVEOLAR (STANDARD) Honeycomb Carton nid d'abeille	 AGLOMERADO Chipboard Aggloméré	 EPS EPS EPS
---	---	--

OPÇÕES DE ABERTURA | GLAZING OPTIONS | OPTIONS DE VITRAGE

<p>A1</p> <p>STD FAC CF 30 🔥</p>	<p>A2</p> <p>STD FAC CF 30 60 🔥</p>	<p>A3</p> <p>STD FAC</p>	<p>A4</p> <p>STD FAC</p>	<p>A5</p> <p>STD FAC</p>
<p>A6</p> <p>STD FAC</p>	<p>A7</p> <p>STD FAC</p>	<p>A8</p> <p>STD FAC CF 30 60 🔥</p>	<p>A9</p> <p>STD FAC CF 30 60 🔥</p>	<p>A10</p> <p>STD FAC CF 30 60 🔥</p>
<p>A11</p> <p>STD FAC CF 30 60 🔥</p>	<p>A12</p> <p>STD FAC CF 30 60 🔥</p>	<p>A13 - Royal</p> <p>FAC</p>	<p>A13 - Royal - Grade Grid Grille</p> <p>FAC</p>	<p>A14</p> <p>FAC</p>
<p>A15</p> <p>STD FAC CF 30 60 🔥</p>	<p>A16 - Divine</p> <p>FAC</p>	<p>TIPO DE BITE GLAZING BEAD PARCLOSE</p> <div data-bbox="730 1753 1161 2078"> <p>STD Standard Standard Standard</p> <p>FAC Face Flushed Affleurant Disponível apenas no acabamento lacado ou folha de madeira natural Only available in lacquer or wood veneer Seulement disponible laqué ou en placage bois.</p> </div>		<p>VIDRO GLASS VERRE</p> <div data-bbox="1209 1753 1481 1899"> <p>4/16</p> </div> <div data-bbox="1209 1921 1481 2078"> <p>CF Corta Fogo Coupe-Feu Fire Door</p> </div>

GAMA GAMA GAMA	COR COLOR COULEUR	LM ↔	HM ↕		
VINYL TOUCH	Branco Artic <i>Artic White Blanc Artic</i>	1250	3000		
	Branco Pérola <i>White pearl Blanc perle</i>				
	Moldau Acácia <i>Moldau Acacia</i>	1400			
	Carvalho Antiqua <i>Antiqua Oak Chêne Antiqua</i>				
	Olmo Escuro <i>Dark elm Orme foncé</i>				
	Carvalho Plomo <i>Plomo oak Chêne plomb</i>				
	Carvalho Brown <i>Brown oak Chêne brun</i>				
	Light Grey <i>Light Grey</i>	1250			
	Dark Grey <i>Dark Grey</i>	1400			
	Chestnut Marrone <i>Chestnut Marrone</i>				
	Chestnut Bleached <i>Chestnut Bleached</i>				
	Olive <i>Olive</i>	1200			
	VINYL NATUR	Carvalho Nat. <i>Natural oak Chêne naturel</i>		1400	3000
		Carvalho Savannah <i>Savannah Oak Chêne Savannah</i>		1250	
Nogueira Cacao <i>Cacao Walnut Noyer Cacao</i>					
Concrete <i>Concrete Beton</i>		1400			
Olmo Taupe <i>Elm Taupe Orme Taupe</i>		1250			
Olmo Gris <i>Gris Elm Orme Gris</i>					
Vanilla Oak <i>Vanilla Oak</i>		1200			
Pearl Oak <i>Pearl Oak</i>					
Iron Oak <i>Iron Oak</i>					
Nature Oak <i>Nature Oak</i>					
Harvest Oak <i>Harvest Oak</i>		1200			
Honey Oak <i>Honey Oak</i>					
Arizona Oak <i>Arizona Oak</i>					
Smoked Oak <i>Smoked Oak</i>					
Graphite Oak <i>Graphite Oak</i>					
Arábian Oak <i>Oak Arabian</i>					
Castle Oak <i>Oak Castle</i>					
Ivory Oak <i>Oak Ivory</i>		1250			
Decor Branco <i>White Decor Decor Blanc</i>			3000		

DIMENSÕES MÁXIMAS DE FABRICO

MAXIMALES DIMENSIONS FABRICATION | MAXIMUM MANUFACTURING DIMENSIONS

GAMA GAMA GAMA	COR COLOR COULEUR	LM ↔	HM ↕
BASIC	—	2000	3000
BASIC +			
STYLE			
GLAM			
GRAPHIC			
VINTAGE			
HPL	—	1230	3000

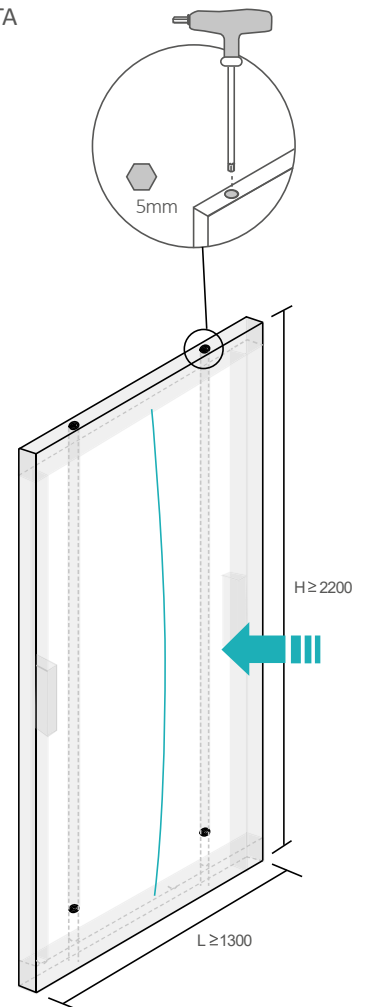
SISTEMA DE CORREÇÃO DE PORTA

Door straightener system
Système de redressement de porte

Tensor interno que permite corrigir a curvatura ou eventual empeno da porta, incluído em todas as portas GS DOORS com largura superior a 1300 ou altura superior a 2200 mm.

Door straightener that allows to correct a warped door, included in all GS DOORS with width greater than 1300 or height greater than 2200 mm.

Ferrure qui permet de redresser la courbure ou le gauchissement de la porte, inclus dans toutes les portes GS DOORS d'une largeur supérieure à 1300 mm et hauteur supérieure à 2200 mm.



	COMPRIMENTO LENGTH LONGUEUR	LARGURA WIDTH LARGEUR	ESPESSURA THICKNESS ÉPAISSEUR
Porta Door Porte	+2mm	+2 mm	+1 mm
Aro Frame Husserie	-3;+5mm	-4; +2 mm	+1 mm
Guarnição Architrave Chambranle	-2;+10mm	+1 mm	+ 2mm

Gama HPL | COMPACT 3

Resistente, higiénica e adequada para espaços húmidos ou de uso intensivo, a gama HPL oferece várias opções em fenólico para portas e divisórias.

Ideal para clínicas, escolas, escritórios e ginásios.

Resistant, hygienic and suitable for damp rooms and intensive use, the HPL range offers several options for phenolic doors and partitions. Ideal for clinics, schools, offices and gyms.

Résistant, hygiénique et approprié pour les pièces humides ou d'utilisation intensive, la gamme HPL offre plusieurs options pour des portes et des cloisons phénoliques. Idéal pour les cliniques, les écoles, les bureaux et les salles de gym.

Opções | Options



34 | 37 dB



EI 30|45|60



Contra radiações

Anti radiation
Anti rayons x

B070
Branco | White | Blanc



B070 | Branco
White
Blanc



G003 | Cinza claro
Light grey
Gris clair



G031 | Amarelo
Yellow
Jaune



R036 | Vermelho
Red
Rouge



B086 | Azul
Blue
Bleu



G059 | Cinza escuro
Dark grey
Gris foncé



1 FACE | Flushed | Affleurant

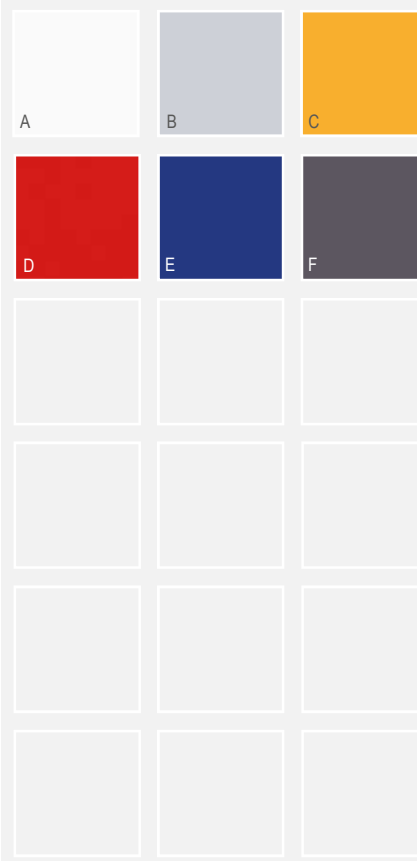
Fenólico 3mm
Phenolic 3mm
Phénolique 3mm

2 Orla | Edge | Bord

Fenólico
Phenolic
Phénolique

Pormenores de acabamento e textura

Finishing and texture details
Détails de la finition et de la texture



OPÇÕES DE COR | COLOR OPTIONS | OPTIONS DE COULEUR



VINYL TOUCH

 (1) Branco Artic Artic White Blanc Artic	 (2) Branco Pérola White pearl Blanc perle	 (3) Moldau Acácia Moldau Acacia Moldau Acacia	 (4) Carvalho Antiqua Antiqua Oak Chêne Antiqua	 (5) Olmo Escuro Dark elm Orme foncé	 (6) Carvalho Plomo Plomo oak Chêne plomb	 (7) Carvalho Brown Brown oak Chêne brun	 (8) Light Grey	 (9) Dark Grey
 (10) Chestnut Bleached	 (11) Chestnut Marron	 (12) Olive						



VINYL NATUR

 (13) Carvalho Nat. Natural oak Chêne naturel	 (14) Carvalho Savannah Savannah Oak Chêne Savannah	 (15) Nogueira Cacao Cacao Walnut Noyer Cacao	 (16) Concrete Concrete Beton	 (17) Olmo Taupe Taupe Elm Orme Taupe	 (18) Olmo Gris Gris Elm Orme Gris	 (19) Vanilla Oak	 (20) Pearl Oak	 (21) Iron Oak
 (22) Nature Oak	 (23) Harvest Oak	 (24) Honey Oak	 (25) Arizona Oak	 (26) Smoked Oak	 (27) Graphite Oak	 (28) Ivory Oak	 (29) Castle Oak	 (30) Arabian Oak
 (31) Riga Amber	 (32) Riga Terracota							 (33) Decor Branco White Decor Decor Blanc




BASIC | BASIC+ | STYLE | VINTAGE | CORES DA MADEIRA | WOOD COLORS | COULEURS DE BOIS

 (34) Amapa	 (35) Bambu Bambou Bambou	 (36) Carvalho Natural Natural oak Chêne naturel	 (37) Carvalho RW Oak RW Chêne RW	 (38) Carvalho Cinza RW Gray oak RW Chêne gris RW	 (39) Cerejeira USA Nat. USA natural cherry Cerisier EUA naturel	 (40) Cerejeira USA RW USA Cherry RW Cerisier EUA RW	 (41) Ébano Ebony Ebène	 (42) Faia Vaporizada Streamed beech Hêtre étuvé
 (43) Freixo Ash Frêne	 (44) Maple Maple Érable	 (45) Mogno Mahogany Acajou	 (46) Mutene	 (47) Nogueira Walnut Noyer	 (48) Nogueira RW Walnut RW Noyer RW	 (49) Pinho Pine Pin	 (50) Sucupira	 (51) Teka RW Teak RW Teck RW
 (52) Tola	 (53) Wengue RW	 (54) Zebrano RW						



LACADOS | LACQUERED | LAQUÉS

GLAM | VINTAGE | GRAPHIC

(55) Branco White Blanc	(56) Cinza Grey Gris	(57) RAL 9006	(58) Preto Black Noir	(59) Vermelho Red Rouge	(60) Carvalho branco White oak Chêne blanc	(61) Branco craquelé White "craquelé" Blanc "craquelé"	(62) Preto craquelé Black "craquelé" Noir "craquelé"	
----------------------------------	-------------------------------	------------------	--------------------------------	----------------------------------	---	---	---	---



HPL | COMPACT 3




(63) B070 Branco B070 White B070 Blanc	(64) Cinza G003 Grey G003 Gris G003	(65) Amarelo G031 Yellow G031 Jaune G031
(66) Vermelho R036 Red R036 Rouge R036	(67) Azul B086 Blue B086 Bleu B086	(68) Cinza G059 Grey G059 Gris G059



OPÇÕES DECORATIVAS | DECOR OPTIONS | OPTIONS DÉCORATIVES

TIPO DE FRISO | INSERT OPTIONS | OPTIONS DES FRISES

TODAS AS GAMAS | ALL RANGES | TOUS LES GAMMES

 FM Madeira Wood Bois	 FR Rebaixado Milled Fraisé	 FA Alumínio Aluminium Aluminium
--	--	---

COR METÁLICA | METALLIC COLOR | COULEUR MÉTALLIQUE

BASIC | BASIC+ | STYLE | VINTAGE | GLAM | VINYL



 (69) Luna Antracite Scudo
--

OPÇÕES DE VIDRO | GLASS OPTIONS | OPTIONS POUR LE VERRE

TIPO DE VIDRO | GLASS TYPES | TYPE DE VERRE

 Transparente Clear Transparent	 Fosco Frosted Dépoli	 Espelho Mirror Miroir
---	---	--

TIPO DE BITE | GLAZING BEAD | PARCLOSE

 STD Saliente Embossed En relief	 FAC Face Flushed Affleurant
--	---

INTERIOR DA PORTA | DOOR INSIDE | INTÉRIEUR DE LA PORTE

 ALVEOLAR (STANDARD) Honeycomb Carton nid d'abeille	 AGLOMERADO Chipboard Aggloméré	 EPS EPS EPS
---	---	--

OPÇÕES DE ABERTURA | GLAZING OPTIONS | OPTIONS DE VITRAGE

<p>A1</p> <p>STD FAC CF 30 🔥</p>	<p>A2</p> <p>STD FAC CF 30 60 🔥</p>	<p>A3</p> <p>STD FAC</p>	<p>A4</p> <p>STD FAC</p>	<p>A5</p> <p>STD FAC</p>
<p>A6</p> <p>STD FAC</p>	<p>A7</p> <p>STD FAC</p>	<p>A8</p> <p>STD FAC CF 30 60 🔥</p>	<p>A9</p> <p>STD FAC CF 30 60 🔥</p>	<p>A10</p> <p>STD FAC CF 30 60 🔥</p>
<p>A11</p> <p>STD FAC CF 30 60 🔥</p>	<p>A12</p> <p>STD FAC CF 30 60 🔥</p>	<p>A13 - Royal</p> <p>FAC</p>	<p>A13 - Royal - Grade Grid Grille</p> <p>FAC</p>	<p>A14</p> <p>FAC</p>
<p>A15</p> <p>STD FAC CF 30 60 🔥</p>	<p>A16 - Divine</p> <p>FAC</p>	<p>TIPO DE BITE GLAZING BEAD PARCLOSE</p> <div data-bbox="730 1753 1161 2078"> <p>STD Standard Standard Standard</p> <p>FAC Face Flushed Affleurant Disponível apenas no acabamento lacado ou folha de madeira natural Only available in lacquer or wood veneer Seulement disponible laqué ou en placage bois.</p> </div>		<p>VIDRO GLASS VERRE</p> <div data-bbox="1209 1753 1481 1899"> <p>4/16</p> </div> <div data-bbox="1209 1921 1481 2078"> <p>CF Corta Fogo Coupe-Feu Fire Door</p> </div>

GAMA GAMA GAMA	COR COLOR COULEUR	LM ↔	HM ↕		
VINYL TOUCH	Branco Artic <i>Artic White Blanc Artic</i>	1250	3000		
	Branco Pérola <i>White pearl Blanc perle</i>				
	Moldau Acácia <i>Moldau Acacia</i>	1400			
	Carvalho Antiqua <i>Antiqua Oak Chêne Antiqua</i>				
	Olmo Escuro <i>Dark elm Orme foncé</i>				
	Carvalho Plomo <i>Plomo oak Chêne plomb</i>				
	Carvalho Brown <i>Brown oak Chêne brun</i>				
	Light Grey <i>Light Grey</i>	1250			
	Dark Grey <i>Dark Grey</i>	1400			
	Chestnut Marrone <i>Chestnut Marrone</i>				
	Chestnut Bleached <i>Chestnut Bleached</i>				
	Olive <i>Olive</i>	1200			
	VINYL NATUR	Carvalho Nat. <i>Natural oak Chêne naturel</i>		1400	3000
		Carvalho Savannah <i>Savannah Oak Chêne Savannah</i>		1250	
Nogueira Cacao <i>Cacao Walnut Noyer Cacao</i>					
Concrete <i>Concrete Beton</i>		1400			
Olmo Taupe <i>Elm Taupe Orme Taupe</i>		1250			
Olmo Gris <i>Gris Elm Orme Gris</i>					
Vanilla Oak <i>Vanilla Oak</i>		1200			
Pearl Oak <i>Pearl Oak</i>					
Iron Oak <i>Iron Oak</i>					
Nature Oak <i>Nature Oak</i>					
Harvest Oak <i>Harvest Oak</i>		1200			
Honey Oak <i>Honey Oak</i>					
Arizona Oak <i>Arizona Oak</i>					
Smoked Oak <i>Smoked Oak</i>					
Graphite Oak <i>Graphite Oak</i>					
Arábian Oak <i>Oak Arabian</i>					
Castle Oak <i>Oak Castle</i>					
Ivory Oak <i>Oak Ivory</i>		1250			
Decor Branco <i>White Decor Decor Blanc</i>			3000		

DIMENSÕES MÁXIMAS DE FABRICO

MAXIMALES DIMENSIONS FABRICATION | MAXIMUM MANUFACTURING DIMENSIONS

GAMA GAMA GAMA	COR COLOR COULEUR	LM ↔	HM ↕
BASIC	—	2000	3000
BASIC +			
STYLE			
GLAM			
GRAPHIC			
VINTAGE			
HPL	—	1230	3000

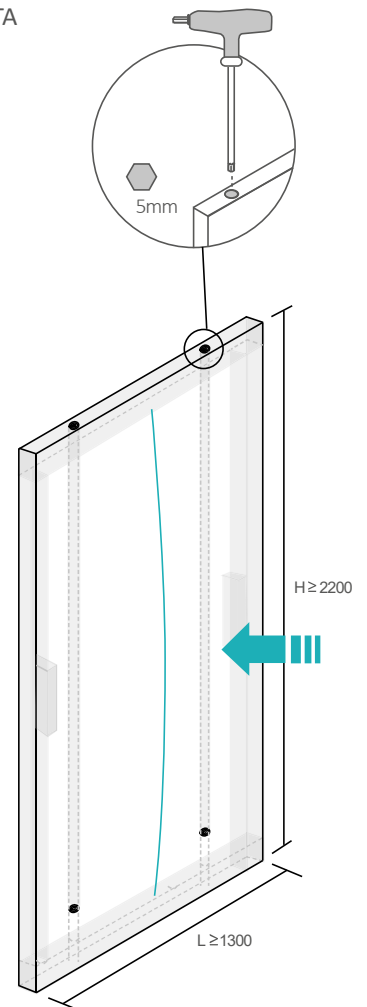
SISTEMA DE CORREÇÃO DE PORTA

Door straightener system
Système de redressement de porte

Tensor interno que permite corrigir a curvatura ou eventual empeno da porta, incluído em todas as portas GS DOORS com largura superior a 1300 ou altura superior a 2200 mm.

Door straightener that allows to correct a warped door, included in all GS DOORS with width greater than 1300 or height greater than 2200 mm.

Ferrure qui permet de redresser la courbure ou le gauchissement de la porte, inclus dans toutes les portes GS DOORS d'une largeur supérieure à 1300 mm et hauteur supérieure à 2200 mm.



	COMPRIMENTO LENGTH LONGUEUR	LARGURA WIDTH LARGEUR	ESPESSURA THICKNESS ÉPAISSEUR
Porta Door Porte	+2mm	+2 mm	+1 mm
Aro Frame Husserie	-3;+5mm	-4; +2 mm	+1 mm
Guarnição Architrave Chambranle	-2;+10mm	+1 mm	+ 2mm

Gama HPL | COMPACT 3

Resistente, higiénica e adequada para espaços húmidos ou de uso intensivo, a gama HPL oferece várias opções em fenólico para portas e divisórias.

Ideal para clínicas, escolas, escritórios e ginásios.

Resistant, hygienic and suitable for damp rooms and intensive use, the HPL range offers several options for phenolic doors and partitions. Ideal for clinics, schools, offices and gyms.

Résistant, hygiénique et approprié pour les pièces humides ou d'utilisation intensive, la gamme HPL offre plusieurs options pour des portes et des cloisons phénoliques. Idéal pour les cliniques, les écoles, les bureaux et les salles de gym.

Opções | Options



34 | 37 dB



EI 30|45|60



Contra radiações

Anti radiation
Anti rayons x

B070
Branco | White | Blanc



B070 | Branco
White
Blanc



G003 | Cinza claro
Light grey
Gris clair



G031 | Amarelo
Yellow
Jaune



R036 | Vermelho
Red
Rouge



B086 | Azul
Blue
Bleu



G059 | Cinza escuro
Dark grey
Gris foncé



1 FACE | Flushed | Affleurant

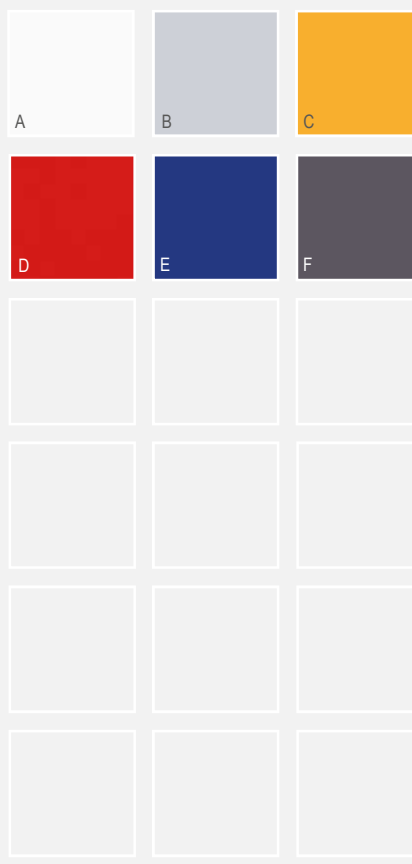
Fenólico 3mm
Phenolic 3mm
Phénolique 3mm

2 Orla | Edge | Bord

Fenólico
Phenolic
Phénolique

Pormenores de acabamento e textura

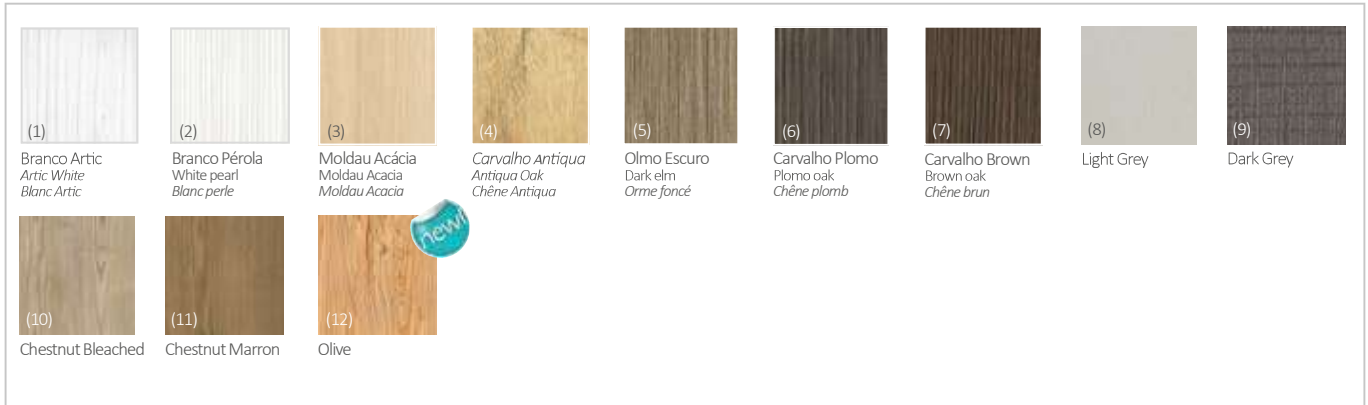
Finishing and texture details
Détails de la finition et de la texture



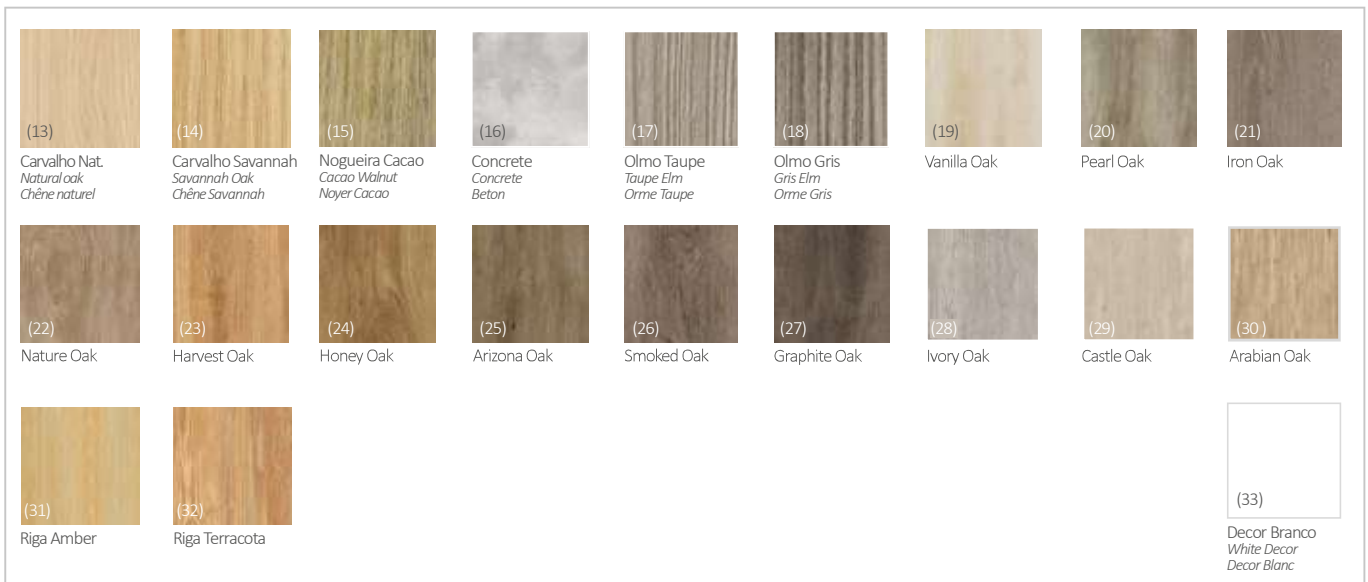
OPÇÕES DE COR | COLOR OPTIONS | OPTIONS DE COULEUR



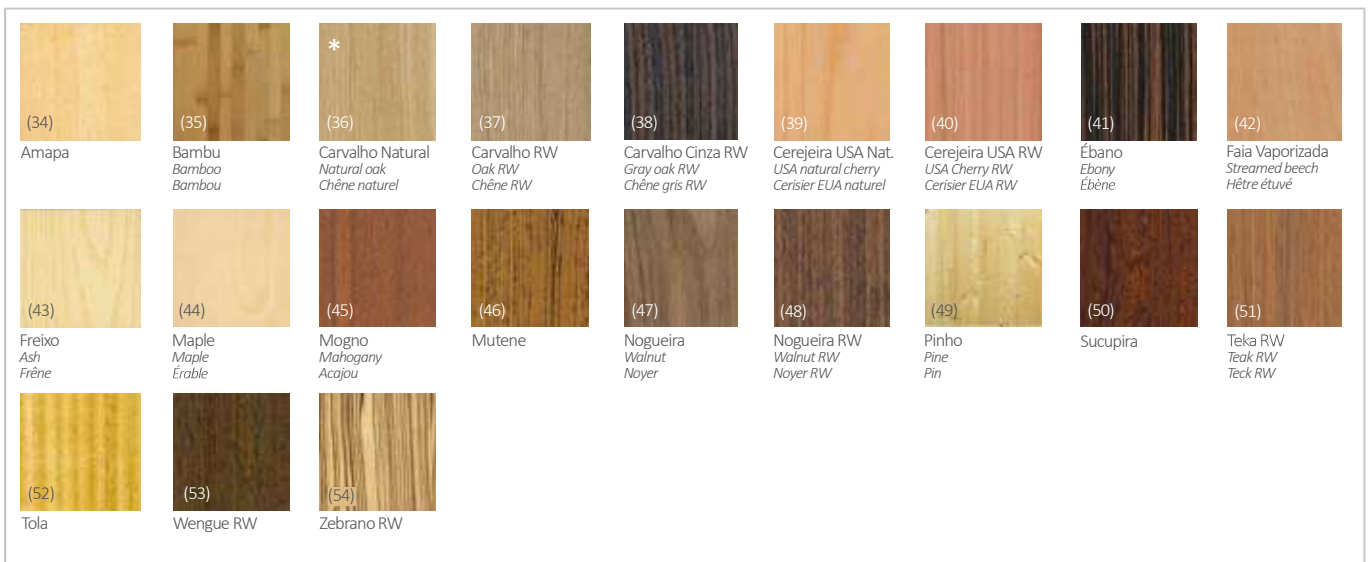
VINYL TOUCH



VINYL NATUR




BASIC | BASIC+ | STYLE | VINTAGE | CORES DA MADEIRA | WOOD COLORS | COULEURS DE BOIS





LACADOS | LACQUERED | LAQUÉS

GLAM | VINTAGE | GRAPHIC

(55) Branco White Blanc	(56) Cinza Grey Gris	(57) RAL 9006	(58) Preto Black Noir	(59) Vermelho Red Rouge	(60) Carvalho branco White oak Chêne blanc	(61) Branco craquelé White "craquelé" Blanc "craquelé"	(62) Preto craquelé Black "craquelé" Noir "craquelé"	
----------------------------------	-------------------------------	------------------	--------------------------------	----------------------------------	---	---	---	---



HPL | COMPACT 3




(63) B070 Branco B070 White B070 Blanc	(64) Cinza G003 Grey G003 Gris G003	(65) Amarelo G031 Yellow G031 Jaune G031
(66) Vermelho R036 Red R036 Rouge R036	(67) Azul B086 Blue B086 Bleu B086	(68) Cinza G059 Grey G059 Gris G059



OPÇÕES DECORATIVAS | DECOR OPTIONS | OPTIONS DÉCORATIVES

TIPO DE FRISO | INSERT OPTIONS | OPTIONS DES FRISES

TODAS AS GAMAS | ALL RANGES | TOUS LES GAMMES

 FM Madeira Wood Bois	 FR Rebaixado Milled Fraisé	 FA Alumínio Aluminium Aluminium
--	--	---

COR METÁLICA | METALLIC COLOR | COULEUR MÉTALLIQUE

BASIC | BASIC+ | STYLE | VINTAGE | GLAM | VINYL



 (69) Luna Antracite Scudo
--

OPÇÕES DE VIDRO | GLASS OPTIONS | OPTIONS POUR LE VERRE

TIPO DE VIDRO | GLASS TYPES | TYPE DE VERRE

 Transparente Clear Transparent	 Fosco Frosted Dépoli	 Espelho Mirror Miroir
---	---	--

TIPO DE BITE | GLAZING BEAD | PARCLOSE

 STD Saliente Embossed En relief	 FAC Face Flushed Affleurant
--	---

INTERIOR DA PORTA | DOOR INSIDE | INTÉRIEUR DE LA PORTE

 ALVEOLAR (STANDARD) Honeycomb Carton nid d'abeille	 AGLOMERADO Chipboard Aggloméré	 EPS EPS EPS
---	---	--

OPÇÕES DE ABERTURA | GLAZING OPTIONS | OPTIONS DE VITRAGE

<p>A1</p> <p>STD FAC CF 30 🔥</p>	<p>A2</p> <p>STD FAC CF 30 60 🔥</p>	<p>A3</p> <p>STD FAC</p>	<p>A4</p> <p>STD FAC</p>	<p>A5</p> <p>STD FAC</p>			
<p>A6</p> <p>STD FAC</p>	<p>A7</p> <p>STD FAC</p>	<p>A8</p> <p>STD FAC CF 30 60 🔥</p>	<p>A9</p> <p>STD FAC CF 30 60 🔥</p>	<p>A10</p> <p>STD FAC CF 30 60 🔥</p>			
<p>A11</p> <p>STD FAC CF 30 60 🔥</p>	<p>A12</p> <p>STD FAC CF 30 60 🔥</p>	<p>A13 - Royal</p> <p>FAC</p>	<p>A13 - Royal - Grade Grid Grille</p> <p>FAC</p>	<p>A14</p> <p>FAC</p>			
<p>A15</p> <p>STD FAC CF 30 60 🔥</p>	<p>A16 - Divine</p> <p>FAC</p>	<p>TIPO DE BITE GLAZING BEAD PARCLOSE</p>		<p>VIDRO GLASS VERRE</p>			
<p>STD Standard Standard Standard</p>		<p>4/16</p>		<p>FAC Face Flushed Affleurant Disponível apenas no acabamento lacado ou folha de madeira natural Only available in lacquer or wood veneer Seulement disponible laqué ou en placage bois.</p>		<p>CF Corta Fogo Coupe-Feu Fire Door</p>	

GAMA GAMA GAMA	COR COLOR COULEUR	LM ↔	HM ↕		
VINYL TOUCH	Branco Artic <i>Artic White Blanc Artic</i>	1250	3000		
	Branco Pérola <i>White pearl Blanc perle</i>				
	Moldau Acácia <i>Moldau Acacia</i>	1400			
	Carvalho Antiqua <i>Antiqua Oak Chêne Antiqua</i>				
	Olmo Escuro <i>Dark elm Orme foncé</i>				
	Carvalho Plomo <i>Plomo oak Chêne plomb</i>				
	Carvalho Brown <i>Brown oak Chêne brun</i>				
	Light Grey <i>Light Grey</i>	1250			
	Dark Grey <i>Dark Grey</i>	1400			
	Chestnut Marrone <i>Chestnut Marrone</i>				
	Chestnut Bleached <i>Chestnut Bleached</i>				
	Olive <i>Olive</i>	1200			
	VINYL NATUR	Carvalho Nat. <i>Natural oak Chêne naturel</i>		1400	3000
		Carvalho Savannah <i>Savannah Oak Chêne Savannah</i>		1250	
Nogueira Cacao <i>Cacao Walnut Noyer Cacao</i>					
Concrete <i>Concrete Beton</i>		1400			
Olmo Taupe <i>Elm Taupe Orme Taupe</i>		1250			
Olmo Gris <i>Gris Elm Orme Gris</i>					
Vanilla Oak <i>Vanilla Oak</i>		1200			
Pearl Oak <i>Pearl Oak</i>					
Iron Oak <i>Iron Oak</i>					
Nature Oak <i>Nature Oak</i>					
Harvest Oak <i>Harvest Oak</i>		1200			
Honey Oak <i>Honey Oak</i>					
Arizona Oak <i>Arizona Oak</i>					
Smoked Oak <i>Smoked Oak</i>					
Graphite Oak <i>Graphite Oak</i>					
Arábian Oak <i>Oak Arabian</i>					
Castle Oak <i>Oak Castle</i>		1250			
Ivory Oak <i>Oak Ivory</i>					
Decor Branco <i>White Decor Decor Blanc</i>	1250	3000			

DIMENSÕES MÁXIMAS DE FABRICO

MAXIMALES DIMENSIONS FABRICATION | MAXIMUM MANUFACTURING DIMENSIONS

GAMA GAMA GAMA	COR COLOR COULEUR	LM ↔	HM ↕
BASIC	—	2000	3000
BASIC +			
STYLE			
GLAM			
GRAPHIC			
VINTAGE			
HPL	—	1230	3000

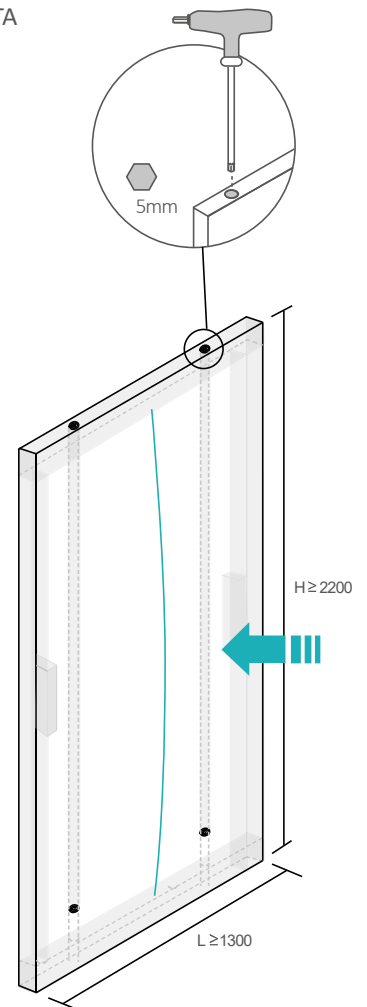
SISTEMA DE CORREÇÃO DE PORTA

Door straightener system
Système de redressement de porte

Tensor interno que permite corrigir a curvatura ou eventual empeno da porta, incluído em todas as portas GS DOORS com largura superior a 1300 ou altura superior a 2200 mm.

Door straightener that allows to correct a warped door, included in all GS DOORS with width greater than 1300 or height greater than 2200 mm.

Ferrure qui permet de redresser la courbure ou le gauchissement de la porte, inclus dans toutes les portes GS DOORS d'une largeur supérieure à 1300 mm et hauteur supérieure à 2200 mm.



	COMPRIMENTO LENGTH LONGUEUR	LARGURA WIDTH LARGEUR	ESPESSURA THICKNESS ÉPAISSEUR
Porta Door Porte	+2mm	+2 mm	+1 mm
Aro Frame Husserie	-3;+5mm	-4; +2 mm	+1 mm
Guarnição Architrave Chambranle	-2;+10mm	+1 mm	+ 2mm

Gama HPL | COMPACT 3

Resistente, higiénica e adequada para espaços húmidos ou de uso intensivo, a gama HPL oferece várias opções em fenólico para portas e divisórias.

Ideal para clínicas, escolas, escritórios e ginásios.

Resistant, hygienic and suitable for damp rooms and intensive use, the HPL range offers several options for phenolic doors and partitions. Ideal for clinics, schools, offices and gyms.

Résistant, hygiénique et approprié pour les pièces humides ou d'utilisation intensive, la gamme HPL offre plusieurs options pour des portes et des cloisons phénoliques. Idéal pour les cliniques, les écoles, les bureaux et les salles de gym.

Opções | Options



34 | 37 dB



EI 30|45|60



Contra radiações

Anti radiation
Anti rayons x

B070
Branco | White | Blanc



B070 | Branco
White
Blanc



G003 | Cinza claro
Light grey
Gris clair



G031 | Amarelo
Yellow
Jaune



R036 | Vermelho
Red
Rouge



B086 | Azul
Blue
Bleu



G059 | Cinza escuro
Dark grey
Gris foncé



1 FACE | Flushed | Affleurant

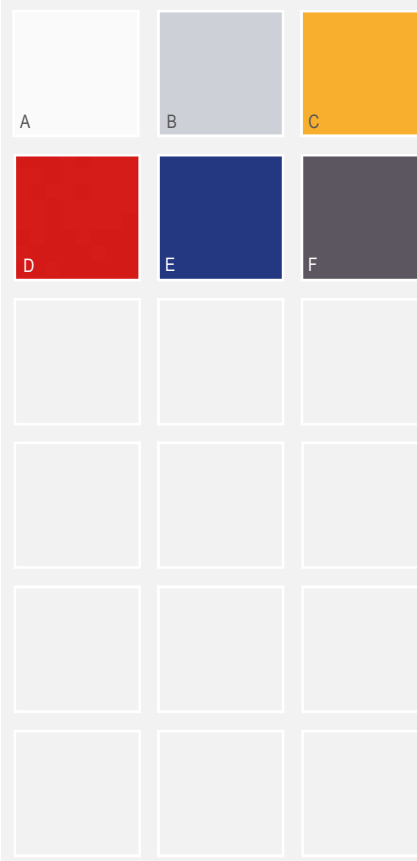
Fenólico 3mm
Phenolic 3mm
Phénolique 3mm

2 Orla | Edge | Bord

Fenólico
Phenolic
Phénolique

Pormenores de acabamento e textura

Finishing and texture details
Détails de la finition et de la texture



OPÇÕES DE COR | COLOR OPTIONS | OPTIONS DE COULEUR



VINYL TOUCH

(1) Branco Artic Artic White Blanc Artic	(2) Branco Pérola White pearl Blanc perle	(3) Moldau Acácia Moldau Acacia Moldau Acacia	(4) Carvalho Antiqua Antiqua Oak Chêne Antiqua	(5) Olmo Escuro Dark elm Orme foncé	(6) Carvalho Plomo Plomo oak Chêne plomb	(7) Carvalho Brown Brown oak Chêne brun	(8) Light Grey	(9) Dark Grey
(10) Chestnut Bleached	(11) Chestnut Marron	(12) Olive						



VINYL NATUR

(13) Carvalho Nat. Natural oak Chêne naturel	(14) Carvalho Savannah Savannah Oak Chêne Savannah	(15) Nogueira Cacao Cacao Walnut Noyer Cacao	(16) Concrete Concrete Beton	(17) Olmo Taupe Taupe Elm Orme Taupe	(18) Olmo Gris Gris Elm Orme Gris	(19) Vanilla Oak	(20) Pearl Oak	(21) Iron Oak
(22) Nature Oak	(23) Harvest Oak	(24) Honey Oak	(25) Arizona Oak	(26) Smoked Oak	(27) Graphite Oak	(28) Ivory Oak	(29) Castle Oak	(30) Arabian Oak
(31) Riga Amber	(32) Riga Terracota							(33) Decor Branco White Decor Decor Blanc



BASIC | BASIC+ | STYLE | VINTAGE | CORES DA MADEIRA | WOOD COLORS | COULEURS DE BOIS

(34) Amapa	(35) Bambu Bamboo Bambou	(36) * Carvalho Natural Natural oak Chêne naturel	(37) Carvalho RW Oak RW Chêne RW	(38) Carvalho Cinza RW Gray oak RW Chêne gris RW	(39) Cerejeira USA Nat. USA natural cherry Cersier EUA naturel	(40) Cerejeira USA RW USA Cherry RW Cersier EUA RW	(41) Ébano Ebony Ébène	(42) Faia Vaporizada Streamed beech Hêtre étuvé
(43) Freixo Ash Frêne	(44) Maple Maple Érable	(45) Mogno Mahogany Acajou	(46) Mutene	(47) Nogueira Walnut Noyer	(48) Nogueira RW Walnut RW Noyer RW	(49) Pinho Pine Pin	(50) Sucupira	(51) Teka RW Teak RW Teck RW
(52) Tola	(53) Wengue RW	(54) Zebrano RW						



LACADOS | LACQUERED | LAQUÉS

GLAM | VINTAGE | GRAPHIC

(55) Branco White Blanc	(56) Cinza Grey Gris	(57) RAL 9006	(58) Preto Black Noir	(59) Vermelho Red Rouge	(60) Carvalho branco White oak Chêne blanc	(61) Branco craquelé White "craquelé" Blanc "craquelé"	(62) Preto craquelé Black "craquelé" Noir "craquelé"	RAL RAL RAL
----------------------------------	-------------------------------	------------------	--------------------------------	----------------------------------	---	---	---	-------------------



HPL | COMPACT 3

(63) B070 Branco B070 White B070 Blanc	(64) Cinza G003 Grey G003 Gris G003	(65) Amarelo G031 Yellow G031 Jaune G031
(66) Vermelho R036 Red R036 Rouge R036	(67) Azul B086 Blue B086 Bleu B086	(68) Cinza G059 Grey G059 Gris G059



OPÇÕES DECORATIVAS | DECOR OPTIONS | OPTIONS DÉCORATIVES

TIPO DE FRISO | INSERT OPTIONS | OPTIONS DES FRISES

TODAS AS GAMAS | ALL RANGES | TOUS LES GAMMES

FM Madeira Wood Bois	FR Rebaixado Milled Fraisé	FA Alumínio Aluminium Aluminium
-------------------------------------	---	--

COR METÁLICA | METALLIC COLOR | COULEUR MÉTALLIQUE

BASIC | BASIC+ | STYLE | VINTAGE | GLAM | VINYL

(69) Luna Antracite Scudo

OPÇÕES DE VIDRO | GLASS OPTIONS | OPTIONS POUR LE VERRE

TIPO DE VIDRO | GLASS TYPES | TYPE DE VERRE

Transparente Clear Transparent	Fosco Frosted Dépoli	Espelho Mirror Miroir
--------------------------------------	----------------------------	-----------------------------

TIPO DE BITE | GLAZING BEAD | PARCLOSE

STD Saliente Embossed En relief	FAC Face Flushed Affleurant
--	--

INTERIOR DA PORTA | DOOR INSIDE | INTÉRIEUR DE LA PORTE

<p>ALVEOLAR (STANDARD) Honeycomb Carton nid d'abeille</p>	<p>AGLOMERADO Chipboard Aggloméré</p>	<p>EPS EPS EPS</p>
---	---	--------------------------

OPÇÕES DE ABERTURA | GLAZING OPTIONS | OPTIONS DE VITRAGE

<p>A1</p> <p>STD FAC CF 30 🔥</p>	<p>A2</p> <p>STD FAC CF 30 60 🔥</p>	<p>A3</p> <p>STD FAC</p>	<p>A4</p> <p>STD FAC</p>	<p>A5</p> <p>STD FAC</p>
<p>A6</p> <p>STD FAC</p>	<p>A7</p> <p>STD FAC</p>	<p>A8</p> <p>STD FAC CF 30 60 🔥</p>	<p>A9</p> <p>STD FAC CF 30 60 🔥</p>	<p>A10</p> <p>STD FAC CF 30 60 🔥</p>
<p>A11</p> <p>STD FAC CF 30 60 🔥</p>	<p>A12</p> <p>STD FAC CF 30 60 🔥</p>	<p>A13 - Royal</p> <p>FAC</p>	<p>A13 - Royal - Grade Grid Grille</p> <p>FAC</p>	<p>A14</p> <p>FAC</p>
<p>A15</p> <p>STD FAC CF 30 60 🔥</p>	<p>A16 - Divine</p> <p>FAC</p>	<p>TIPO DE BITE GLAZING BEAD PARCLOSE</p> <div data-bbox="746 1776 852 1877"> <p>STD Standard Standard Standard</p> </div> <div data-bbox="746 1917 852 2018"> <p>FAC Face Flushed Affleurant Disponível apenas no acabamento lacado ou folha de madeira natural Only available in lacquer or wood veneer Seulement disponible laqué ou en placage bois.</p> </div>		<p>VIDRO GLASS VERRE</p> <div data-bbox="1225 1753 1331 1877"> <p>4/16</p> </div> <div data-bbox="1225 1939 1331 2018"> <p>CF Corta Fogo Coupe-Feu Fire Door</p> </div>

GAMA GAMA GAMA	COR COLOR COULEUR	LM ↔	HM ↕		
VINYL TOUCH	Branco Artic <i>Artic White Blanc Artic</i>	1250	3000		
	Branco Pérola <i>White pearl Blanc perle</i>				
	Moldau Acácia <i>Moldau Acacia</i>	1400			
	Carvalho Antiqua <i>Antiqua Oak Chêne Antiqua</i>				
	Olmo Escuro <i>Dark elm Orme foncé</i>				
	Carvalho Plomo <i>Plomo oak Chêne plomb</i>				
	Carvalho Brown <i>Brown oak Chêne brun</i>	1250			
	Light Grey <i>Light Grey</i>				
	Dark Grey <i>Dark Grey</i>	1400			
	Chestnut Marrone <i>Chestnut Marrone</i>				
	Chestnut Bleached <i>Chestnut Bleached</i>				
	Olive <i>Olive</i>	1200			
	VINYL NATUR	Carvalho Nat. <i>Natural oak Chêne naturel</i>		1400	3000
		Carvalho Savannah <i>Savannah Oak Chêne Savannah</i>		1250	
Nogueira Cacao <i>Cacao Walnut Noyer Cacao</i>					
Concrete <i>Concrete Beton</i>		1400			
Olmo Taupe <i>Elm Taupe Orme Taupe</i>		1250			
Olmo Gris <i>Gris Elm Orme Gris</i>					
Vanilla Oak <i>Vanilla Oak</i>		1200			
Pearl Oak <i>Pearl Oak</i>					
Iron Oak <i>Iron Oak</i>					
Nature Oak <i>Nature Oak</i>					
Harvest Oak <i>Harvest Oak</i>		3000			
Honey Oak <i>Honey Oak</i>					
Arizona Oak <i>Arizona Oak</i>					
Smoked Oak <i>Smoked Oak</i>					
Graphite Oak <i>Graphite Oak</i>					
Arábian Oak <i>Oak Arabian</i>					
Castle Oak <i>Oak Castle</i>					
Ivory Oak <i>Oak Ivory</i>		1250			
Decor Branco <i>White Decor Decor Blanc</i>			3000		

DIMENSÕES MÁXIMAS DE FABRICO

MAXIMALES DIMENSIONS FABRICATION | MAXIMUM MANUFACTURING DIMENSIONS

GAMA GAMA GAMA	COR COLOR COULEUR	LM ↔	HM ↕
BASIC	—	2000	3000
BASIC +			
STYLE			
GLAM			
GRAPHIC			
VINTAGE			
HPL	1230	3000	

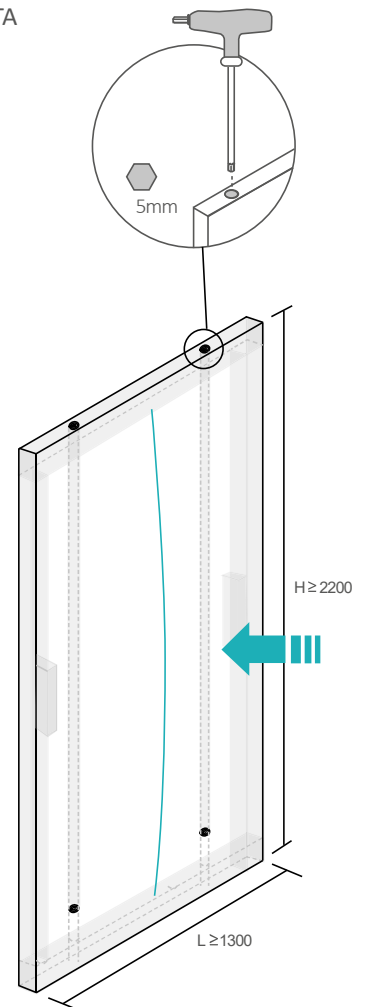
SISTEMA DE CORREÇÃO DE PORTA

Door straightener system
Système de redressement de porte

Tensor interno que permite corrigir a curvatura ou eventual empeno da porta, incluído em todas as portas GS DOORS com largura superior a 1300 ou altura superior a 2200 mm.

Door straightener that allows to correct a warped door, included in all GS DOORS with width greater than 1300 or height greater than 2200 mm.

Ferrure qui permet de redresser la courbure ou le gauchissement de la porte, inclus dans toutes les portes GS DOORS d'une largeur supérieure à 1300 mm et hauteur supérieure à 2200 mm.



	COMPRIMENTO LENGTH LONGUEUR	LARGURA WIDTH LARGEUR	ESPESSURA THICKNESS ÉPAISSEUR
Porta Door Porte	+2mm	+2 mm	+1 mm
Aro Frame Husserie	-3;+5mm	-4; +2 mm	+1 mm
Guarnição Architrave Chambranle	-2;+10mm	+1 mm	+ 2mm

Gama HPL | COMPACT 3

Resistente, higiénica e adequada para espaços húmidos ou de uso intensivo, a gama HPL oferece várias opções em fenólico para portas e divisórias.

Ideal para clínicas, escolas, escritórios e ginásios.

Resistant, hygienic and suitable for damp rooms and intensive use, the HPL range offers several options for phenolic doors and partitions. Ideal for clinics, schools, offices and gyms.

Résistant, hygiénique et approprié pour les pièces humides ou d'utilisation intensive, la gamme HPL offre plusieurs options pour des portes et des cloisons phénoliques. Idéal pour les cliniques, les écoles, les bureaux et les salles de gym.

Opções | Options



34 | 37 dB



EI 30|45|60



Contra radiações

Anti radiation
Anti rayons x

B070
Branco | White | Blanc



B070 | Branco
White
Blanc



G003 | Cinza claro
Light grey
Gris clair



G031 | Amarelo
Yellow
Jaune



R036 | Vermelho
Red
Rouge



B086 | Azul
Blue
Bleu



G059 | Cinza escuro
Dark grey
Gris foncé



1 FACE | Flushed | Affleurant

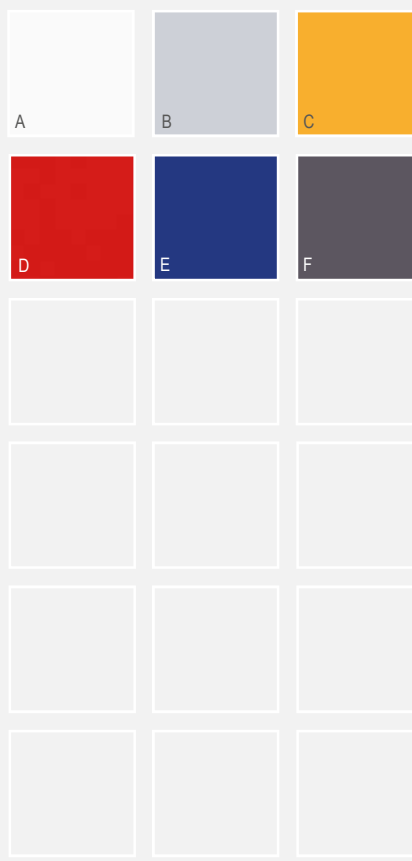
Fenólico 3mm
Phenolic 3mm
Phénolique 3mm

2 Orla | Edge | Bord

Fenólico
Phenolic
Phénolique

Pormenores de acabamento e textura

Finishing and texture details
Détails de la finition et de la texture



OPÇÕES DE COR | COLOR OPTIONS | OPTIONS DE COULEUR



VINYL TOUCH

(1) Branco Artic Artic White Blanc Artic	(2) Branco Pérola White pearl Blanc perle	(3) Moldau Acácia Moldau Acacia Moldau Acacia	(4) Carvalho Antiqua Antiqua Oak Chêne Antiqua	(5) Olmo Escuro Dark elm Orme foncé	(6) Carvalho Plomo Plomo oak Chêne plomb	(7) Carvalho Brown Brown oak Chêne brun	(8) Light Grey	(9) Dark Grey
(10) Chestnut Bleached	(11) Chestnut Marron	(12) Olive						



VINYL NATUR

(13) Carvalho Nat. Natural oak Chêne naturel	(14) Carvalho Savannah Savannah Oak Chêne Savannah	(15) Nogueira Cacao Cacao Walnut Noyer Cacao	(16) Concrete Concrete Béton	(17) Olmo Taupe Taupe Elm Orme Taupe	(18) Olmo Gris Gris Elm Orme Gris	(19) Vanilla Oak	(20) Pearl Oak	(21) Iron Oak
(22) Nature Oak	(23) Harvest Oak	(24) Honey Oak	(25) Arizona Oak	(26) Smoked Oak	(27) Graphite Oak	(28) Ivory Oak	(29) Castle Oak	(30) Arabian Oak
(31) Riga Amber	(32) Riga Terracota							(33) Decor Branco White Decor Decor Blanc




BASIC | BASIC+ | STYLE | VINTAGE | CORES DA MADEIRA | WOOD COLORS | COULEURS DE BOIS

(34) Amapa	(35) Bambu Bamboo Bambou	(36) * Carvalho Natural Natural oak Chêne naturel	(37) Carvalho RW Oak RW Chêne RW	(38) Carvalho Cinza RW Gray oak RW Chêne gris RW	(39) Cerejeira USA Nat. USA natural cherry Cersier EUA naturel	(40) Cerejeira USA RW USA Cherry RW Cersier EUA RW	(41) Ébano Ebony Ébène	(42) Faia Vaporizada Streamed beech Hêtre étuvé
(43) Freixo Ash Frêne	(44) Maple Maple Érable	(45) Mogno Mahogany Acajou	(46) Mutene	(47) Nogueira Walnut Noyer	(48) Nogueira RW Walnut RW Noyer RW	(49) Pinho Pine Pin	(50) Sucupira	(51) Teka RW Teak RW Teck RW
(52) Tola	(53) Wengue RW	(54) Zebrano RW						



LACADOS | LACQUERED | LAQUÉS

GLAM | VINTAGE | GRAPHIC

(55) Branco White Blanc	(56) Cinza Grey Gris	(57) RAL 9006	(58) Preto Black Noir	(59) Vermelho Red Rouge	(60) Carvalho branco White oak Chêne blanc	(61) Branco craquelé White "craquelé" Blanc "craquelé"	(62) Preto craquelé Black "craquelé" Noir "craquelé"	
----------------------------------	-------------------------------	------------------	--------------------------------	----------------------------------	---	---	---	---



HPL | COMPACT 3




(63) B070 Branco B070 White B070 Blanc	(64) Cinza G003 Grey G003 Gris G003	(65) Amarelo G031 Yellow G031 Jaune G031
(66) Vermelho R036 Red R036 Rouge R036	(67) Azul B086 Blue B086 Bleu B086	(68) Cinza G059 Grey G059 Gris G059



OPÇÕES DECORATIVAS | DECOR OPTIONS | OPTIONS DÉCORATIVES

TIPO DE FRISO | INSERT OPTIONS | OPTIONS DES FRISES

TODAS AS GAMAS | ALL RANGES | TOUS LES GAMMES

 FM Madeira Wood Bois	 FR Rebaixado Milled Fraisé	 FA Alumínio Aluminium Aluminium
--	--	---

COR METÁLICA | METALLIC COLOR | COULEUR MÉTALLIQUE

BASIC | BASIC+ | STYLE | VINTAGE | GLAM | VINYL



 (69) Luna Antracite Scudo
--

OPÇÕES DE VIDRO | GLASS OPTIONS | OPTIONS POUR LE VERRE

TIPO DE VIDRO | GLASS TYPES | TYPE DE VERRE

 Transparente Clear Transparent	 Fosco Frosted Dépoli	 Espelho Mirror Miroir
---	---	--

TIPO DE BITE | GLAZING BEAD | PARCLOSE

 STD Saliente Embossed En relief	 FAC Face Flushed Affleurant
--	---

INTERIOR DA PORTA | DOOR INSIDE | INTÉRIEUR DE LA PORTE

 ALVEOLAR (STANDARD) Honeycomb Carton nid d'abeille	 AGLOMERADO Chipboard Aggloméré	 EPS EPS EPS
---	---	--

OPÇÕES DE ABERTURA | GLAZING OPTIONS | OPTIONS DE VITRAGE

<p>A1</p> <p>STD FAC CF 30 🔥</p>	<p>A2</p> <p>STD FAC CF 30 60 🔥</p>	<p>A3</p> <p>STD FAC</p>	<p>A4</p> <p>STD FAC</p>	<p>A5</p> <p>STD FAC</p>
<p>A6</p> <p>STD FAC</p>	<p>A7</p> <p>STD FAC</p>	<p>A8</p> <p>STD FAC CF 30 60 🔥</p>	<p>A9</p> <p>STD FAC CF 30 60 🔥</p>	<p>A10</p> <p>STD FAC CF 30 60 🔥</p>
<p>A11</p> <p>STD FAC CF 30 60 🔥</p>	<p>A12</p> <p>STD FAC CF 30 60 🔥</p>	<p>A13 - Royal</p> <p>FAC</p>	<p>A13 - Royal - Grade Grid Grille</p> <p>FAC</p>	<p>A14</p> <p>FAC</p>
<p>A15</p> <p>STD FAC CF 30 60 🔥</p>	<p>A16 - Divine</p> <p>FAC</p>	<p>TIPO DE BITE GLAZING BEAD PARCLOSE</p> <div data-bbox="730 1753 1161 2078"> <p>STD Standard Standard Standard</p> <p>FAC Face Flushed Affleurant Disponível apenas no acabamento lacado ou folha de madeira natural Only available in lacquer or wood veneer Seulement disponible laqué ou en placage bois.</p> </div>		<p>VIDRO GLASS VERRE</p> <div data-bbox="1209 1753 1481 1899"> <p>4/16</p> </div> <div data-bbox="1209 1921 1481 2078"> <p>CF Corta Fogo Coupe-Feu Fire Door</p> </div>

GAMA GAMA GAMA	COR COLOR COULEUR	LM ↔	HM ↕		
VINYL TOUCH	Branco Artic <i>Artic White Blanc Artic</i>	1250	3000		
	Branco Pérola <i>White pearl Blanc perle</i>				
	Moldau Acácia <i>Moldau Acacia</i>	1400			
	Carvalho Antiqua <i>Antiqua Oak Chêne Antiqua</i>				
	Olmo Escuro <i>Dark elm Orme foncé</i>				
	Carvalho Plomo <i>Plomo oak Chêne plomb</i>				
	Carvalho Brown <i>Brown oak Chêne brun</i>				
	Light Grey <i>Light Grey</i>	1250			
	Dark Grey <i>Dark Grey</i>	1400			
	Chestnut Marrone <i>Chestnut Marrone</i>				
	Chestnut Bleached <i>Chestnut Bleached</i>				
	Olive <i>Olive</i>	1200			
	VINYL NATUR	Carvalho Nat. <i>Natural oak Chêne naturel</i>		1400	3000
		Carvalho Savannah <i>Savannah Oak Chêne Savannah</i>		1250	
Nogueira Cacao <i>Cacao Walnut Noyer Cacao</i>					
Concrete <i>Concrete Beton</i>		1400			
Olmo Taupe <i>Elm Taupe Orme Taupe</i>		1250			
Olmo Gris <i>Gris Elm Orme Gris</i>					
Vanilla Oak <i>Vanilla Oak</i>		1200			
Pearl Oak <i>Pearl Oak</i>					
Iron Oak <i>Iron Oak</i>					
Nature Oak <i>Nature Oak</i>					
Harvest Oak <i>Harvest Oak</i>		1200			
Honey Oak <i>Honey Oak</i>					
Arizona Oak <i>Arizona Oak</i>					
Smoked Oak <i>Smoked Oak</i>					
Graphite Oak <i>Graphite Oak</i>					
Arábian Oak <i>Oak Arabian</i>					
Castle Oak <i>Oak Castle</i>					
Ivory Oak <i>Oak Ivory</i>		1250			
Decor Branco <i>White Decor Decor Blanc</i>			3000		

DIMENSÕES MÁXIMAS DE FABRICO

MAXIMALES DIMENSIONS FABRICATION | MAXIMUM MANUFACTURING DIMENSIONS

GAMA GAMA GAMA	COR COLOR COULEUR	LM ↔	HM ↕
BASIC	—	2000	3000
BASIC +			
STYLE			
GLAM			
GRAPHIC			
VINTAGE			
HPL	—	1230	3000

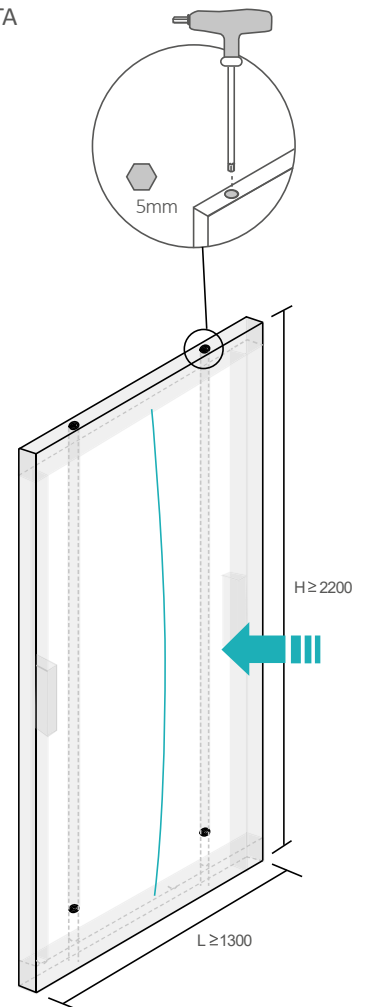
SISTEMA DE CORREÇÃO DE PORTA

Door straightener system
Système de redressement de porte

Tensor interno que permite corrigir a curvatura ou eventual empeno da porta, incluído em todas as portas GS DOORS com largura superior a 1300 ou altura superior a 2200 mm.

Door straightener that allows to correct a warped door, included in all GS DOORS with width greater than 1300 or height greater than 2200 mm.

Ferrure qui permet de redresser la courbure ou le gauchissement de la porte, inclus dans toutes les portes GS DOORS d'une largeur supérieure à 1300 mm et hauteur supérieure à 2200 mm.



	COMPRIMENTO LENGTH LONGUEUR	LARGURA WIDTH LARGEUR	ESPESSURA THICKNESS ÉPAISSEUR
Porta Door Porte	+2mm	+2 mm	+1 mm
Aro Frame Husserie	-3;+5mm	-4; +2 mm	+1 mm
Guarnição Architrave Chambranle	-2;+10mm	+1 mm	+ 2mm

Gama HPL | COMPACT 3

Resistente, higiénica e adequada para espaços húmidos ou de uso intensivo, a gama HPL oferece várias opções em fenólico para portas e divisórias.

Ideal para clínicas, escolas, escritórios e ginásios.

Resistant, hygienic and suitable for damp rooms and intensive use, the HPL range offers several options for phenolic doors and partitions. Ideal for clinics, schools, offices and gyms.

Résistant, hygiénique et approprié pour les pièces humides ou d'utilisation intensive, la gamme HPL offre plusieurs options pour des portes et des cloisons phénoliques. Idéal pour les cliniques, les écoles, les bureaux et les salles de gym.

Opções | Options



34 | 37 dB



EI 30|45|60



Contra radiações

Anti radiation
Anti rayons x

B070
Branco | White | Blanc



B070 | Branco
White
Blanc



G003 | Cinza claro
Light grey
Gris clair



G031 | Amarelo
Yellow
Jaune



R036 | Vermelho
Red
Rouge



B086 | Azul
Blue
Bleu



G059 | Cinza escuro
Dark grey
Gris foncé



1 FACE | Flushed | Affleurant

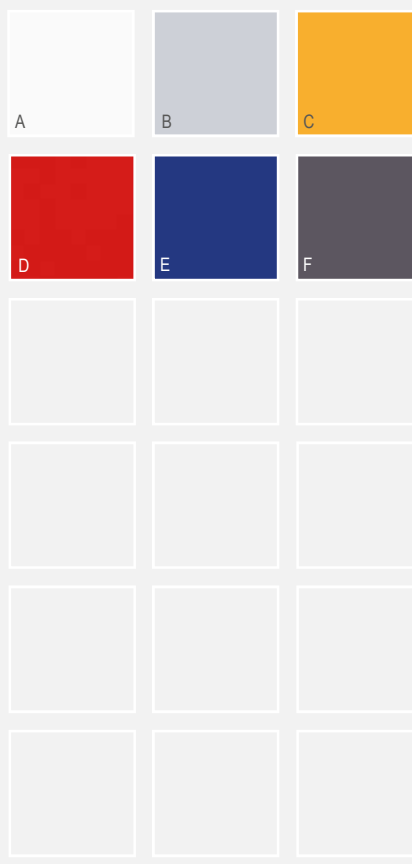
Fenólico 3mm
Phenolic 3mm
Phénolique 3mm

2 Orla | Edge | Bord

Fenólico
Phenolic
Phénolique

Pormenores de acabamento e textura

Finishing and texture details
Détails de la finition et de la texture



OPÇÕES DE COR | COLOR OPTIONS | OPTIONS DE COULEUR



VINYL TOUCH

 (1) Branco Artic Artic White Blanc Artic	 (2) Branco Pérola White pearl Blanc perle	 (3) Moldau Acácia Moldau Acacia Moldau Acacia	 (4) Carvalho Antiqua Antiqua Oak Chêne Antiqua	 (5) Olmo Escuro Dark elm Orme foncé	 (6) Carvalho Plomo Plomo oak Chêne plomb	 (7) Carvalho Brown Brown oak Chêne brun	 (8) Light Grey	 (9) Dark Grey
 (10) Chestnut Bleached	 (11) Chestnut Marron	 (12) Olive						



VINYL NATUR

 (13) Carvalho Nat. Natural oak Chêne naturel	 (14) Carvalho Savannah Savannah Oak Chêne Savannah	 (15) Nogueira Cacao Cacao Walnut Noyer Cacao	 (16) Concrete Concrete Beton	 (17) Olmo Taupe Taupe Elm Orme Taupe	 (18) Olmo Gris Gris Elm Orme Gris	 (19) Vanilla Oak	 (20) Pearl Oak	 (21) Iron Oak
 (22) Nature Oak	 (23) Harvest Oak	 (24) Honey Oak	 (25) Arizona Oak	 (26) Smoked Oak	 (27) Graphite Oak	 (28) Ivory Oak	 (29) Castle Oak	 (30) Arabian Oak
 (31) Riga Amber	 (32) Riga Terracota							 (33) Decor Branco White Decor Decor Blanc



BASIC | BASIC+ | STYLE | VINTAGE | CORES DA MADEIRA | WOOD COLORS | COULEURS DE BOIS

 (34) Amapa	 (35) Bambu Bambou Bambou	 (36) Carvalho Natural Natural oak Chêne naturel	 (37) Carvalho RW Oak RW Chêne RW	 (38) Carvalho Cinza RW Gray oak RW Chêne gris RW	 (39) Cerejeira USA Nat. USA natural cherry Cersier EUA naturel	 (40) Cerejeira USA RW USA Cherry RW Cersier EUA RW	 (41) Ébano Ebony Ebène	 (42) Faia Vaporizada Streamed beech Hêtre étuvé
 (43) Freixo Ash Frêne	 (44) Maple Maple Érable	 (45) Mogno Mahogany Acajou	 (46) Mutene	 (47) Nogueira Walnut Noyer	 (48) Nogueira RW Walnut RW Noyer RW	 (49) Pinho Pine Pin	 (50) Sucupira	 (51) Teka RW Teak RW Teck RW
 (52) Tola	 (53) Wengue RW	 (54) Zebrano RW						



LACADOS | LACQUERED | LAQUÉS

GLAM | VINTAGE | GRAPHIC

(55) Branco White Blanc	(56) Cinza Grey Gris	(57) RAL 9006	(58) Preto Black Noir	(59) Vermelho Red Rouge	(60) Carvalho branco White oak Chêne blanc	(61) Branco craquelé White "craquelé" Blanc "craquelé"	(62) Preto craquelé Black "craquelé" Noir "craquelé"	RAL RAL RAL
----------------------------------	-------------------------------	------------------	--------------------------------	----------------------------------	---	---	---	-------------------



HPL | COMPACT 3

(63) B070 Branco B070 White B070 Blanc	(64) Cinza G003 Grey G003 Gris G003	(65) Amarelo G031 Yellow G031 Jaune G031
(66) Vermelho R036 Red R036 Rouge R036	(67) Azul B086 Blue B086 Bleu B086	(68) Cinza G059 Grey G059 Gris G059



OPÇÕES DECORATIVAS | DECOR OPTIONS | OPTIONS DÉCORATIVES

TIPO DE FRISO | INSERT OPTIONS | OPTIONS DES FRISES

TODAS AS GAMAS | ALL RANGES | TOUS LES GAMMES

FM Madeira Wood Bois	FR Rebaixado Milled Fraisé	FA Alumínio Aluminium Aluminium
-------------------------------------	---	--

COR METÁLICA | METALLIC COLOR | COULEUR MÉTALLIQUE

BASIC | BASIC+ | STYLE | VINTAGE | GLAM | VINYL

(69) Luna Antracite Scudo

OPÇÕES DE VIDRO | GLASS OPTIONS | OPTIONS POUR LE VERRE

TIPO DE VIDRO | GLASS TYPES | TYPE DE VERRE

Transparente Clear Transparent	Fosco Frosted Dépoli	Espelho Mirror Miroir
--------------------------------------	----------------------------	-----------------------------

TIPO DE BITE | GLAZING BEAD | PARCLOSE

STD Saliente Embossed En relief	FAC Face Flushed Affleurant
--	--

INTERIOR DA PORTA | DOOR INSIDE | INTÉRIEUR DE LA PORTE

<p>ALVEOLAR (STANDARD) Honeycomb Carton nid d'abeille</p>	<p>AGLOMERADO Chipboard Aggloméré</p>	<p>EPS EPS EPS</p>
---	---	--------------------------

OPÇÕES DE ABERTURA | GLAZING OPTIONS | OPTIONS DE VITRAGE

<p>A1</p> <p>STD FAC CF 30</p>	<p>A2</p> <p>STD FAC CF 30 60</p>	<p>A3</p> <p>STD FAC</p>	<p>A4</p> <p>STD FAC</p>	<p>A5</p> <p>STD FAC</p>
<p>A6</p> <p>STD FAC</p>	<p>A7</p> <p>STD FAC</p>	<p>A8</p> <p>STD FAC CF 30 60</p>	<p>A9</p> <p>STD FAC CF 30 60</p>	<p>A10</p> <p>STD FAC CF 30 60</p>
<p>A11</p> <p>STD FAC CF 30 60</p>	<p>A12</p> <p>STD FAC CF 30 60</p>	<p>A13 - Royal</p> <p>FAC</p>	<p>A13 - Royal - Grade Grid Grille</p> <p>FAC</p>	<p>A14</p> <p>FAC</p>
<p>A15</p> <p>STD FAC CF 30 60</p>	<p>A16 - Divine</p> <p>FAC</p>	<p>TIPO DE BITE GLAZING BEAD PARCLOSE</p> <div data-bbox="730 1753 1161 2078"> <p>STD Standard Standard Standard</p> <p>FAC Face Flushed Affleurant Disponível apenas no acabamento lacado ou folha de madeira natural Only available in lacquer or wood veneer Seulement disponible laqué ou en placage bois.</p> </div>		<p>VIDRO GLASS VERRE</p> <div data-bbox="1209 1753 1481 1899"> <p>4/16</p> </div> <div data-bbox="1209 1921 1481 2078"> <p>CF Corta Fogo Coupe-Feu Fire Door</p> </div>

GAMA GAMA GAMA	COR COLOR COULEUR	LM ↔	HM ↕		
VINYL TOUCH	Branco Artic <i>Artic White Blanc Artic</i>	1250	3000		
	Branco Pérola <i>White pearl Blanc perle</i>				
	Moldau Acácia <i>Moldau Acacia</i>	1400			
	Carvalho Antiqua <i>Antiqua Oak Chêne Antiqua</i>				
	Olmo Escuro <i>Dark elm Orme foncé</i>				
	Carvalho Plomo <i>Plomo oak Chêne plomb</i>				
	Carvalho Brown <i>Brown oak Chêne brun</i>				
	Light Grey <i>Light Grey</i>	1250			
	Dark Grey <i>Dark Grey</i>	1400			
	Chestnut Marrone <i>Chestnut Marrone</i>				
	Chestnut Bleached <i>Chestnut Bleached</i>				
	Olive <i>Olive</i>	1200			
	VINYL NATUR	Carvalho Nat. <i>Natural oak Chêne naturel</i>		1400	3000
		Carvalho Savannah <i>Savannah Oak Chêne Savannah</i>		1250	
Nogueira Cacao <i>Cacao Walnut Noyer Cacao</i>					
Concrete <i>Concrete Beton</i>		1400			
Olmo Taupe <i>Elm Taupe Orme Taupe</i>		1250			
Olmo Gris <i>Gris Elm Orme Gris</i>					
Vanilla Oak <i>Vanilla Oak</i>		1200			
Pearl Oak <i>Pearl Oak</i>					
Iron Oak <i>Iron Oak</i>					
Nature Oak <i>Nature Oak</i>					
Harvest Oak <i>Harvest Oak</i>		1200			
Honey Oak <i>Honey Oak</i>					
Arizona Oak <i>Arizona Oak</i>					
Smoked Oak <i>Smoked Oak</i>					
Graphite Oak <i>Graphite Oak</i>					
Arábian Oak <i>Oak Arabian</i>					
Castle Oak <i>Oak Castle</i>		1250			
Ivory Oak <i>Oak Ivory</i>					
Decor Branco <i>White Decor Decor Blanc</i>	1250	3000			

DIMENSÕES MÁXIMAS DE FABRICO

MAXIMALES DIMENSIONS FABRICATION | MAXIMUM MANUFACTURING DIMENSIONS

GAMA GAMA GAMA	COR COLOR COULEUR	LM ↔	HM ↕
BASIC	—	2000	3000
BASIC +			
STYLE			
GLAM			
GRAPHIC			
VINTAGE			
HPL	—	1230	3000

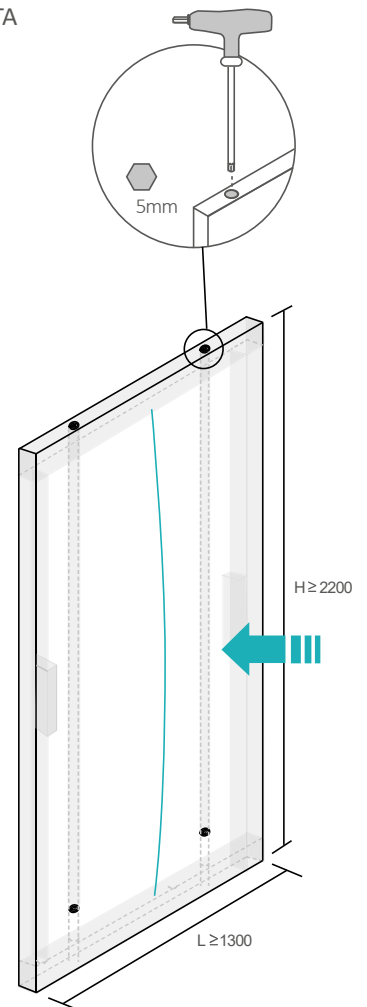
SISTEMA DE CORREÇÃO DE PORTA

Door straightener system
Système de redressement de porte

Tensor interno que permite corrigir a curvatura ou eventual empeno da porta, incluído em todas as portas GS DOORS com largura superior a 1300 ou altura superior a 2200 mm.

Door straightener that allows to correct a warped door, included in all GS DOORS with width greater than 1300 or height greater than 2200 mm.

Ferrure qui permet de redresser la courbure ou le gauchissement de la porte, inclus dans toutes les portes GS DOORS d'une largeur supérieure à 1300 mm et hauteur supérieure à 2200 mm.



	COMPRIMENTO LENGTH LONGUEUR	LARGURA WIDTH LARGEUR	ESPESSURA THICKNESS ÉPAISSEUR
Porta Door Porte	+2mm	+2 mm	+1 mm
Aro Frame Husserie	-3;+5mm	-4; +2 mm	+1 mm
Guarnição Architrave Chambranle	-2;+10mm	+1 mm	+ 2mm